

Overview

The V-Linx Combiner is an indoor MPO connectivity interface with capacity of 5 FDT (Terminal) units.

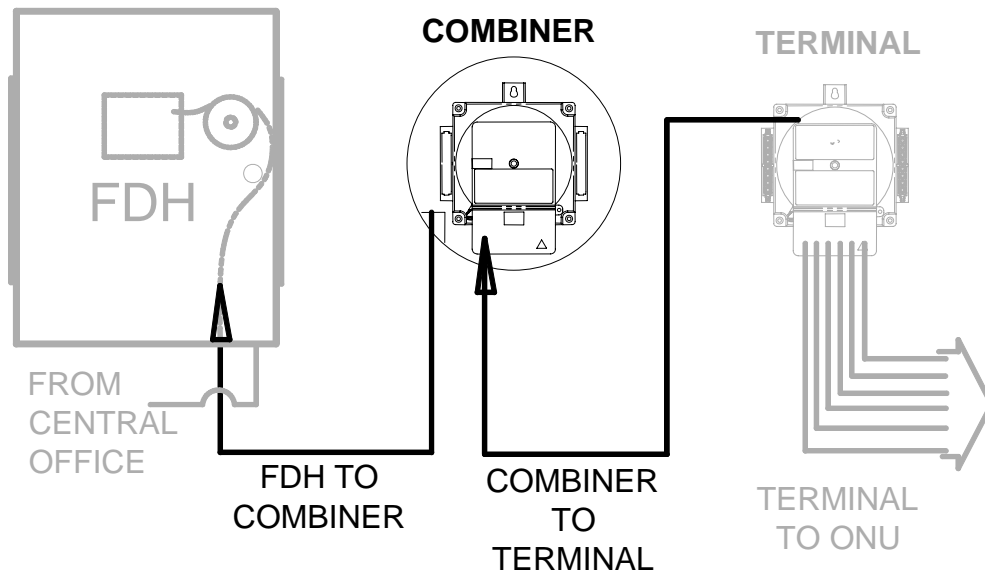


FIGURE 1

The V-Linx Combiner parts include:

- V-Linx Combiner unit (1)
- #8x 1" self drilling panhead screws
- Installation Sheet (1)

Recommended tools:

- Measuring tape
- 12VDC or larger screw driver
- #2 Phillips drive
- V-Linx Installation Tool (OFS comcode# A07AK1113)

Installation instructions:

1. - Determine the optimum location for the V-Linx Combiner. Standard mounting is to a vertical interior wall approximately 60 inches from the floor.

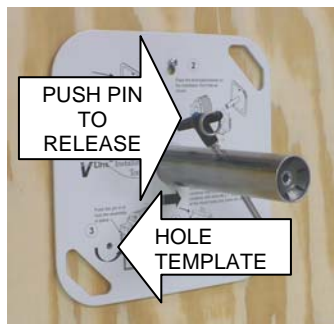


Fig. 2

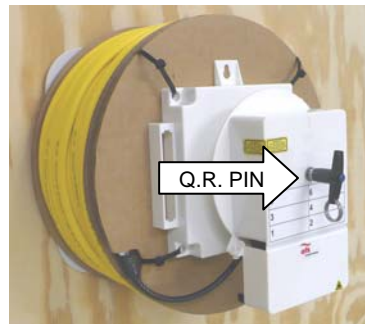


Fig. 3

2. - Temporarily mount the V-Linx Installation Tool utilizing the center top mounting tab key hole. This is designed for a #8 tapping pan head fastener. Use the tool template and mark the four permanent V-linx mounting holes location. (Refer to Figure 2)

3. - Remove the tool quick release pin and centrally locate the V-Linx Combiner onto the tool post.

4. - Firmly reinstall the quick release pin until an audible click is observed (lightly pull the on the Combiner to verify the tool retention. (Refer to Figure 3)

5. - Unreel the entire length of ribbon cable from the Combiner to the V-Linx FDH (Fiber Distribution Hub). Refer to Figure 4.

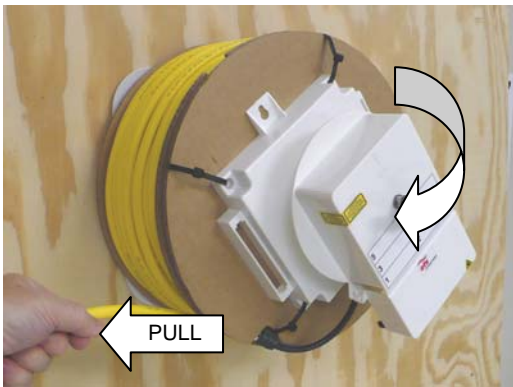


Fig.4

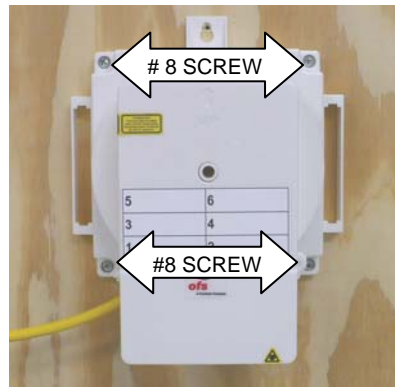
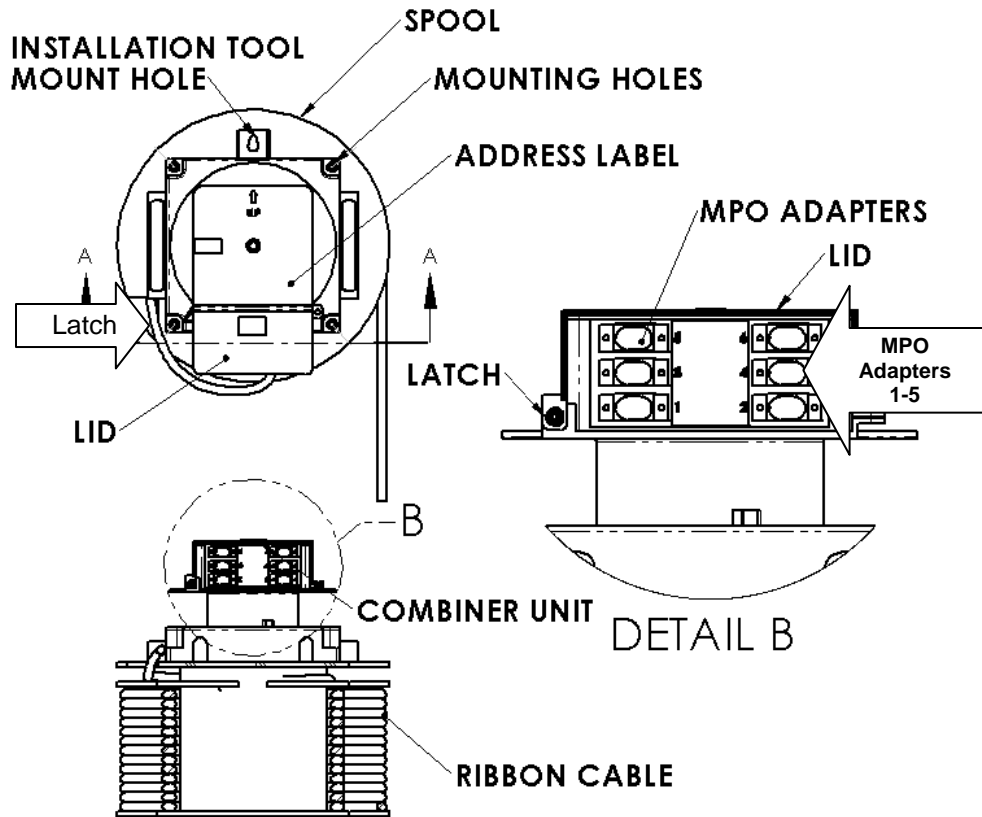


Fig.5

6. - Remove the quick release pin, Combiner and V-Linx Installation Tool from the wall. Proceed to drill mounting holes or install wall anchors to the four marked locations.
7. - Remove the empty cardboard spool from the Combiner housing.
8. - Reinstall the Combiner to the wall location using four #8 size fasteners. Refer to Figure 5.
9. - Unlatch the Combiner dust cover lid push/pull latch and complete the connection of the V-Linx Terminal MTP/MPO connectorized cable(s) to the numbered MPO adapters. Refer to Figure 6



SECTION A-A

COMBINER ILLUSTRATION Fig. 6

10. - Install the Combiner cable into one of the FDH cabinet 1/2" conduit bushings. The routed cable requires approximately 6 foot inside the cabinet. Cut the ribbon cable as required. Refer to FDH instructions for cabinet splice and final assembly.

11. - Complete a system signal test, label all connections and secure all cables to industry methods.