

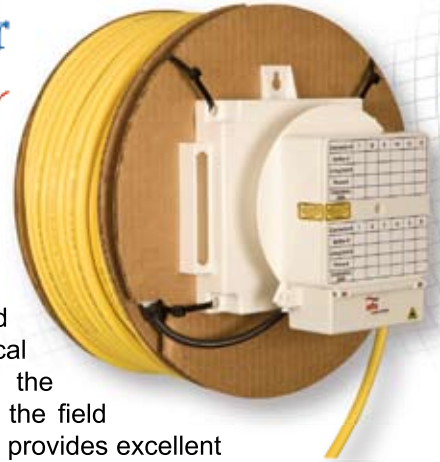
FTTX



A Furukawa Company



V-Linx™ Combiner



The V-Linx™ Combiner aggregates the optical paths from up to six V-Linx Terminals (up to 72 individual units). Using the same compact chassis as the V-Linx Terminal, the V-Linx Combiner is configured with preterminated AccuFlex™ PLUS Optical Ribbon Interconnect Cable assemblies in the factory for quick set up and installation in the field (supporting 300 lbf of axial load). The cable provides excellent transmission performance, flexibility, and connectivity in a very small package (8.4 mm diameter).

The V-Linx Combiner provides all the necessary assistance to allow a single person to install the entire cable between floors. It uses multifiber push-on (MPO) connector technology which enables a very compact aggregation point from multiple V-Linx Terminals.

Features & Benefits

- Compact size
- Supports aggregation of up to 72 units (60 units most common)
- Uses multi-fiber connector interface
- Integrated with V-Linx Cables at the factory
- Field integration of V-Linx Cables optional.

V-Linx Cable

Capable of serving up to 72 units, the V-Linx Cable is configured with up to six, 12-fiber ribbon cables, and connects the Fiber Distribution Hub (FDH) to the V-Linx Combiner. The V-Linx Cable is a riser rated AccuFlex PLUS Optical Ribbon Interconnect Cable (supporting 300 lbf of axial load) which provides excellent transmission performance, flexibility and connectivity in a very small package (8.4 mm diameter).

The V-Linx Cable (pictured on back) can be configured at the factory with MPO connectors on one or both ends of the cable assembly.

About the V-Linx Spool and Play Solution

Uniquely designed for dense, multifloor units, the V-Linx Spool and Play Solution can significantly reduce the manpower and time needed to install the network backbone with short length spool-and-play technology in MDUs. The V-Linx Spool and Play Solution comprises 4 major components:

- V-Linx Fiber Distribution Hub (FDH)
- V-Linx Combiner
- V-Linx Terminal
- EZ-Bend™ Drop Assemblies.



Specifications:

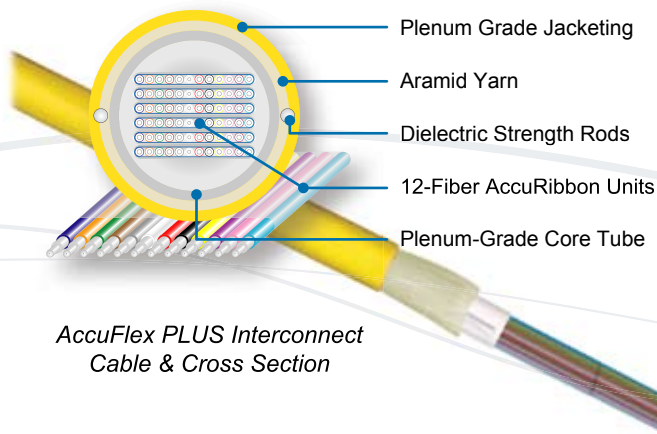
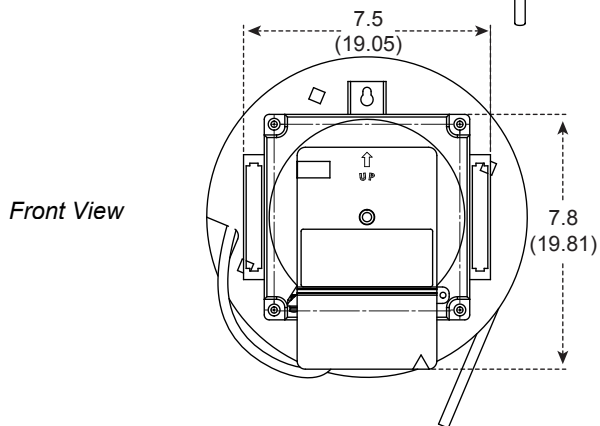
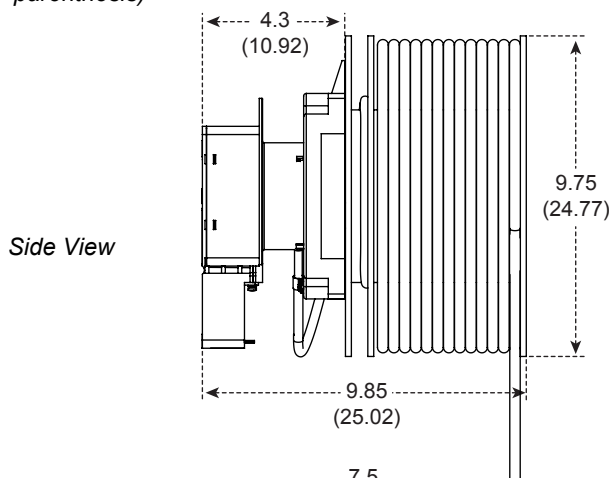
Size	7.5" x 7.8"* x 4.5" (19 cm x 22.2 cm x 11.4 cm)
Weight	8.4 lb (3.7 kg)
Shipping Size	9" x 5" x 8" (22.8 cm x 20.2 cm x 12.7 cm)
Shipping Weight	8.4 lb (3.7 kg)
Master Pack Count	1 per box
Pallet Count (# Master, Total #)	36 per pallet
Number of Terminations (common)	5 MPO connectors (12 fibers per connector)
Wall Mountable	All surfaces
Color	Central Office White

Designed for:

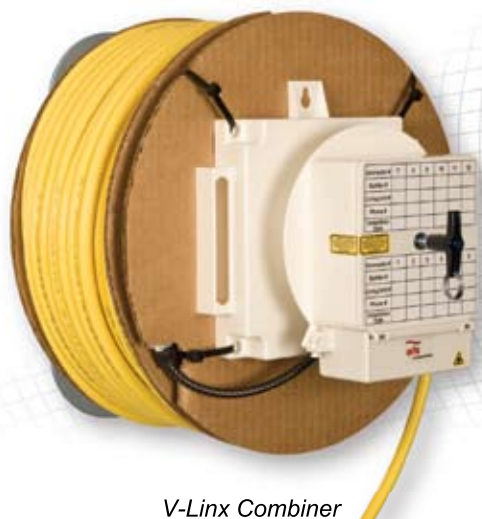
Fire Rating of Plastics	UL-94, rated V-0
In Use Temperature Rating	23° F to 122° F (-5° C to 50° C)
Storage Temperature Rating	-4° F to 158° F (-20° C to +70° C)
Water Rating (NEMA/IP ratings)	NEMA 12/IP 52

* 8.75" with keyhole tab

Note: All dimensions given in inches and centimeters (in parenthesis)



Optional Installation Tool



V-Linx Combiner
Shown with Optional Installation Tool

Optical Performance:

Maximum Insertion Loss (max)	1.25 dB
Return Loss	-55 dB nominal



Use electronic files, available at:
www.ofsoptics.com - Use less paper

For additional information please contact your sales representative. You can also visit our website at <http://www.ofsoptics.com> or call 1-888-fiberhelp.

AllWave is a registered trademark and AccuFlex, FOX, and V-Linx are trademarks of Furukawa Electric North America, Inc.

OFS reserves the right to make changes to the product(s) described in this document in the interest of improving internal design, operational function, and/or reliability. OFS does not assume any liability that may occur due to the use or application of the product(s) described herein.

This document is for informational purposes only and is not intended to modify or supplement any OFS warranties or specifications relating to any of its products or services.

Copyright © 2009 Furukawa Electric North America, Inc.
All rights reserved, printed in USA.

OFS
Marketing Communications
fap-236-0109



A Furukawa Company